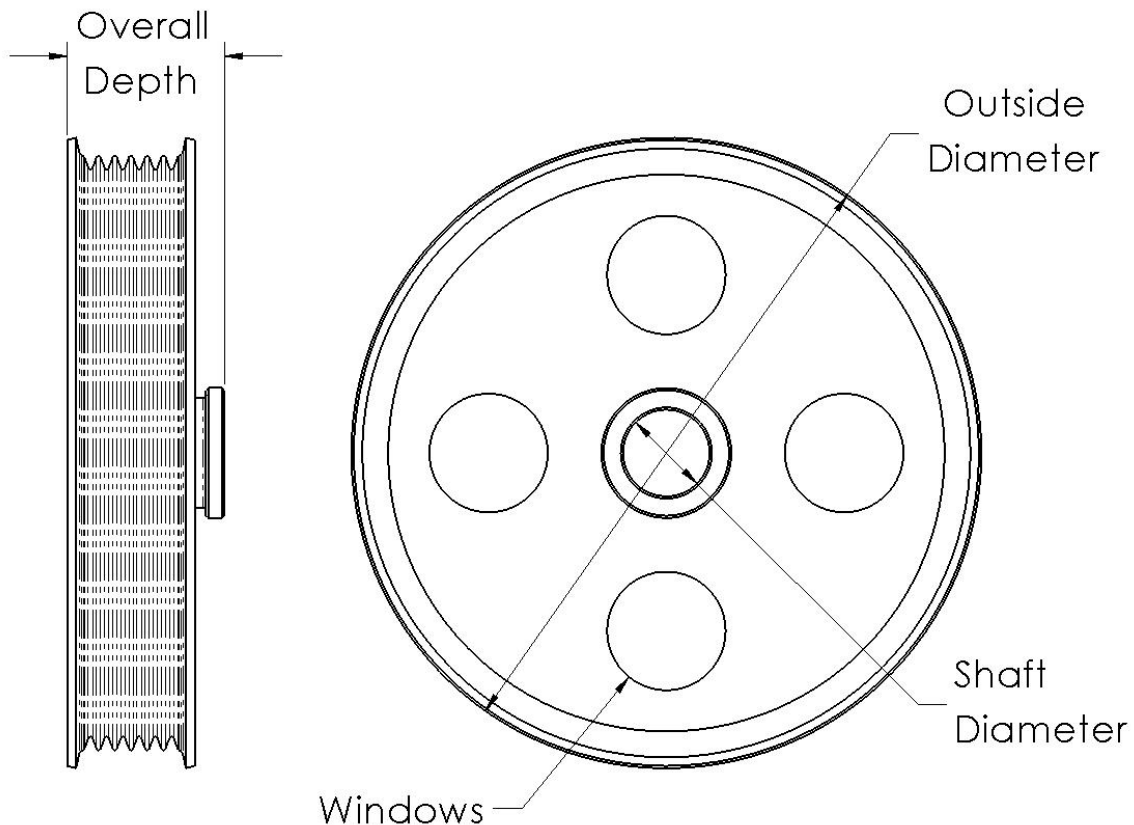


Power steering pulley dimensions

So, you've received your Kwik Performance alternator and power steering pump bracket, and you need to install a pulley on your Type II pump. Here are the important dimensions for several GM pulleys:

GM Part Number	Pump shaft diameter	Outside diameter	Overall depth	Number of Windows	Applications	Notes
12569456 19258492	.75	5.25	1.35	4	Envoy, Trailblazer	
12568997	.66	6.70	1.35	4	Corvette	
12559885	.75	6.57	1.67	0	Camaro	Do not press on all the way. Leave 1/8" out.
10166335	.75	5.25	1.35	3	Montana	



An overall depth of 1.35" is ideal for use with the Kwik bracket. The Camaro pulley listed above has an extra 1/4" step-down section which should not be seated on the end of the shaft, but should be 1/8" away from the end of the shaft.